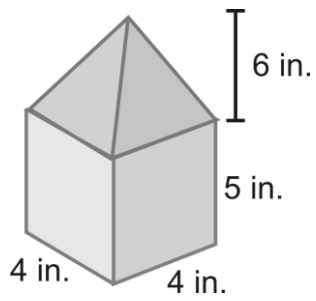


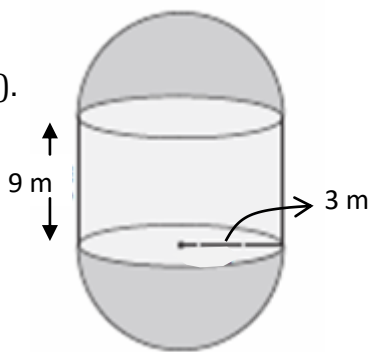
Math 1201 Worksheet
Surface Area and Volume of Composite Objects

1. Determine the **surface area** of each composite shape to the nearest tenth of a square unit.

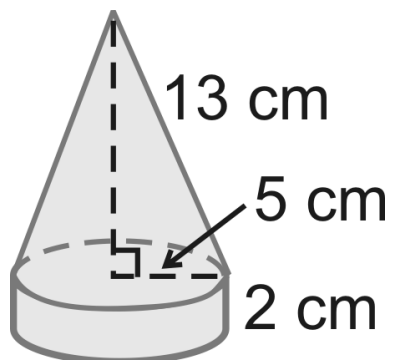
A).



B).



C).



2. Determine the **volume** of each composite shape to the nearest tenth of a cubic unit.

