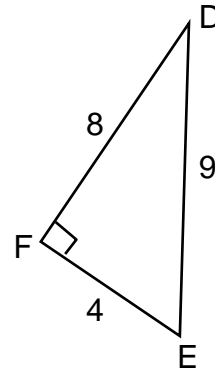
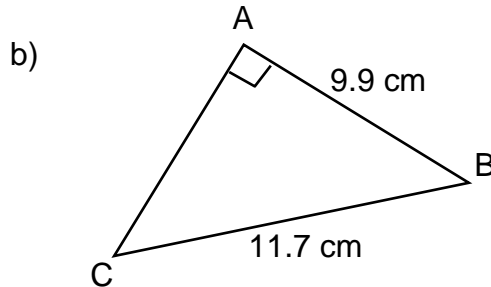
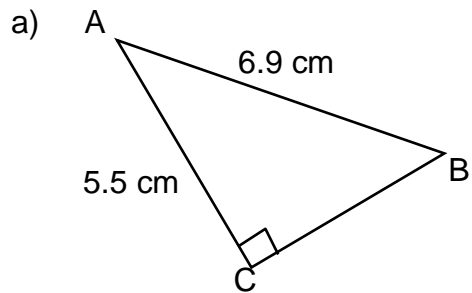


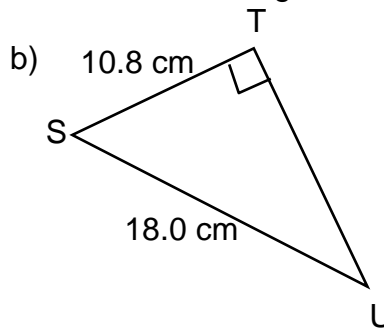
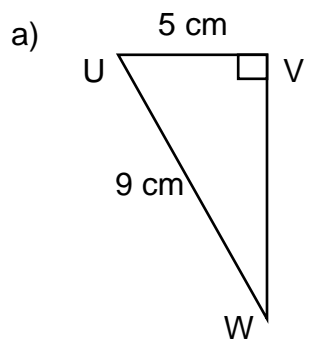
1. Find $\sin D$ and $\cos D$ in fractional form.



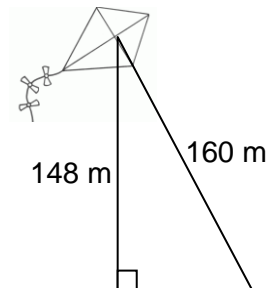
2. Find the measure of $\angle B$, in each triangle, to the nearest degree.



3. Find the measure of each acute angle to the nearest degree.



4. The string of a kite is 160 m long. The string is anchored to the ground. The kite is 148 m high. What angle, to the nearest degree, does the string make with the ground?



5. A loading ramp is 4.5m long. The top of the ramp has height 1.6m. What angle, to the nearest degree, does the ramp make with the ground?

6. A ladder leans on a wall. What angle, to the nearest degree, does the ladder make with the ground?

